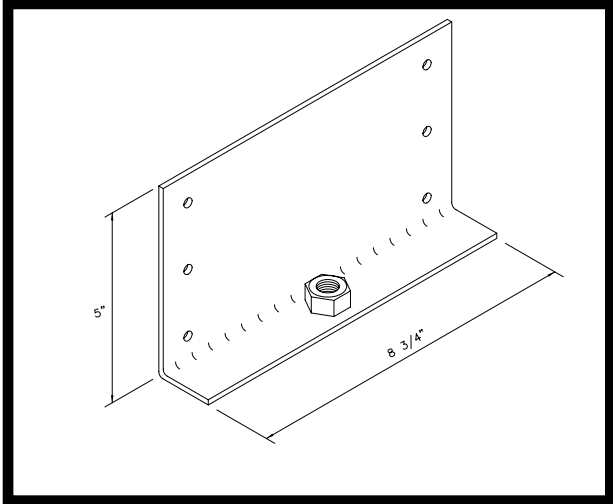




Frame Brace Clip

Recent changes to energy standards are revising the minimum insulation requirements for conditioned space in most climate zones in North America. As a result, it will become necessary for roof cavities in the future to hold increasing amounts of insulation. One of the best known systems in our industry to achieve this is Simple Saver. These systems normally utilize a fabric or metal liner which can be an issue with the size of penetrations through the liner.

The Frame Brace Clip has been developed to be used as an alternate attachment method at the Frame Brace to purlins or girts. This utilizes the standard detailed Frame Brace with both new and retrofit construction to accommodate a metal or fabric liner on the interior of the purlins or girts.



Advantages of the Frame Brace Clip:

- Minimizes the need for new or additional parts for the Frame Brace to the purlin or girt attachment.
- Minimizes the size of the penetration in the metal or fabric liner
- Procedure does not require additional purlin or girt punching
- Provides for reuse of the detailed Frame Brace, requiring no substitutions

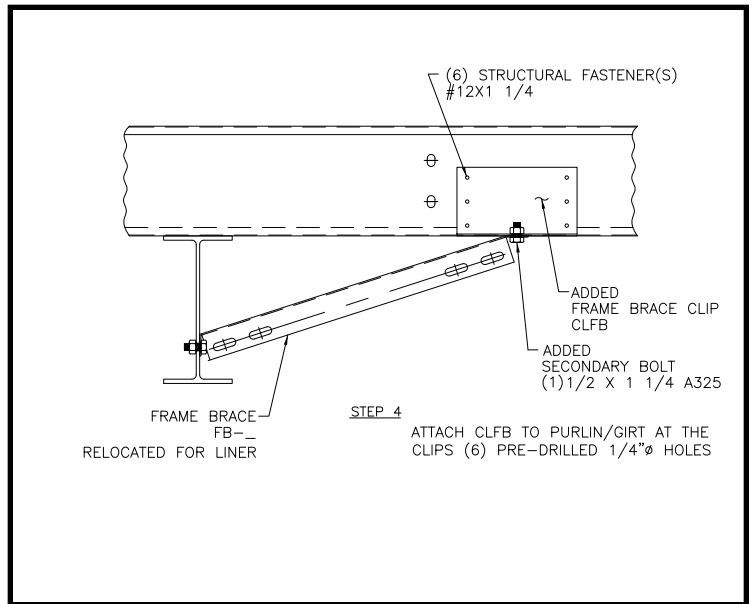
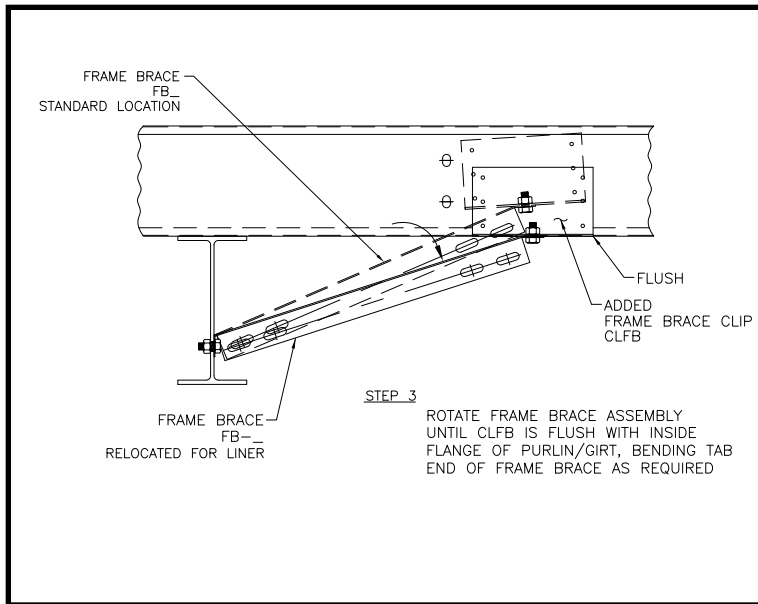
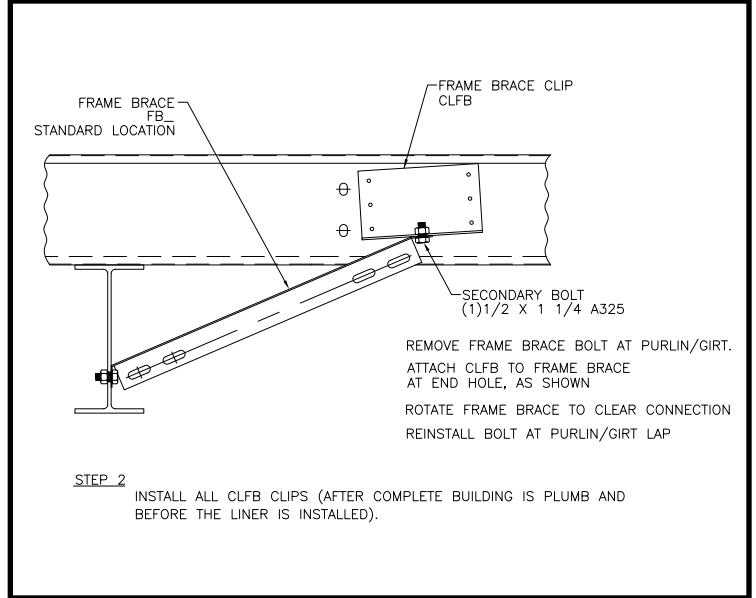
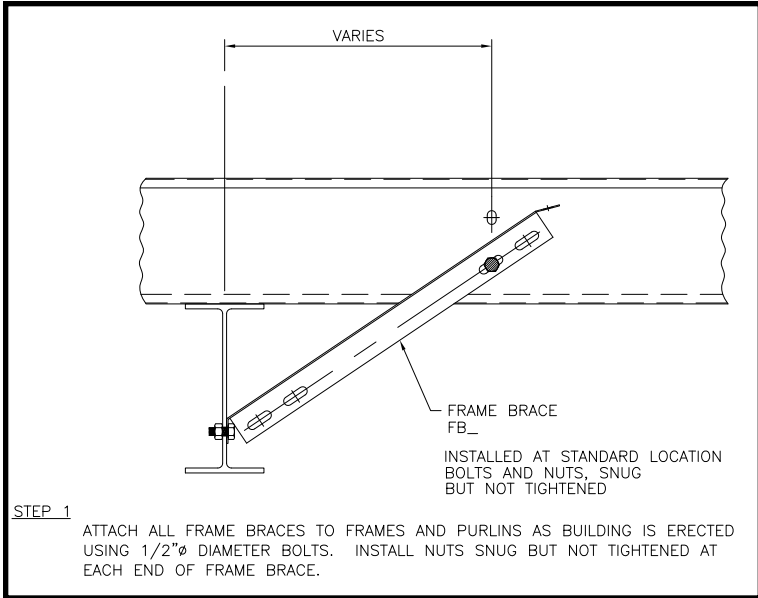


Sub drawings for the Frame Brace Clip are shown on the back of this Product Update.

Should you have a project requiring high amounts of roof insulation or want more detailed information please contact your Customer Service representative.



Frame Brace Connection with CLFB



AMERICAN BUILDINGS
A NUCOR COMPANY

American Buildings Company
1150 State Docks Road
Eufaula, AL 36027
Toll free 888.307.4338
Fax 334.688.2261

www.americanbuildings.com