



# Flat Top Roof Fasteners

American Buildings Company is constantly seeking ways to improve our product offering and remain the low cost supplier for our Builders. We are pleased to announce that we have updated our Roof Fastener head style to have a flat top. It is still the Ultimate Long Life Head, but now has a flat top. This flat top allows for significantly improved magnetism to the nut-setter bit.

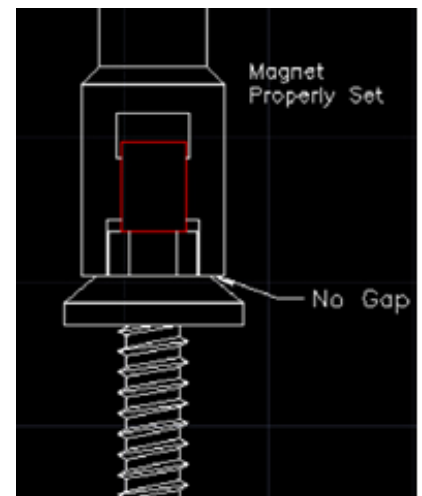
**Important item to note:** This new flat top style head requires the magnet in the nut-setter to be “set” properly. Instruction on how to “set the magnet” will be included in each bag of fasteners. It is *critical* that this be done to help reduce fastener wobble and scaring/paint removal on the head.



Old Style



New Style



Properly Set Magnet

**Critical Dates:** You will start seeing these new style heads very soon. There may be a mix of head styles during a transition period while inventories of the old style head are being depleted.

## **Our Commitment**

American Buildings Company is committed to ongoing improvements in all aspects of our business. This change is intended to enhance our product offerings and improve our costs and competitiveness in the market place. Your input and comments are always greatly appreciated. If you have specific questions regarding this bulletin or any other area of our business, please contact your District Sales Manager, Customer Service Representative, or our Product Development Department.