

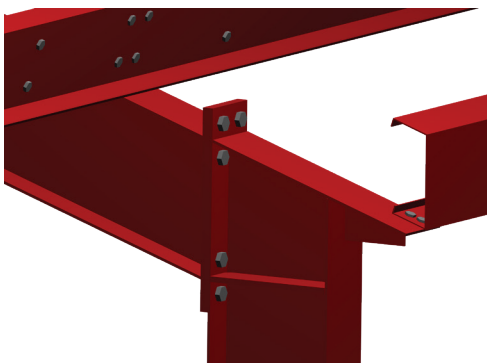
Eave Struts

September 2018

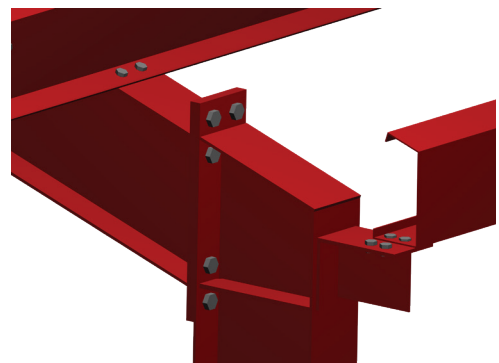
In order to streamline Eave Strut design, manufacturing and erection the ABC West Division will be moving to a new design incorporating equal leg flanges eliminating the need for a bolt on or welded bracket.

Equal leg flanges result in higher strength that may in some cases reduce gauge requirements providing potential cost savings.

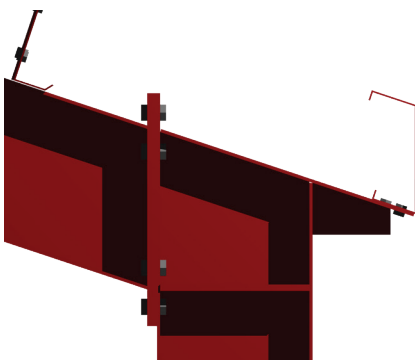
New Eave Strut



Previous Eave Strut



New Eave Strut



Previous Eave Strut

